

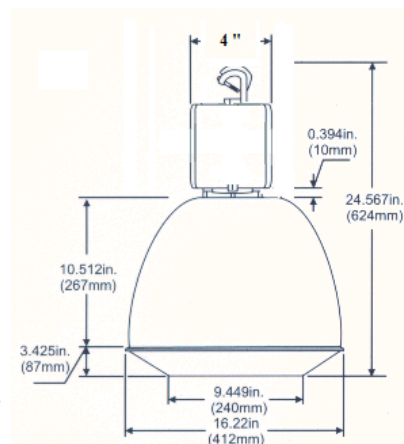


DATE	
PROJECT	
TYPE	
NOTE	
PREPARED BY	

SM-CLC-2282 SM-CLC-2282 Induction high/low bay Fixture



- Lamp Rating: 100,000 Hours for enhanced safety and maintenance
- Lumen Maintenance: 88% maintained lumens over 100,000 Hours
- Energy Savings: Over 57% savings comparing to HPS and other HID sources
- IP Rating: IP55, UL listed for wet location
- Light Output: 4700K, 90 CRI
- Voltage: 120-277 standard 480v optional
- Applications: Factories, foundries, machine shops, warehouse and retail stores
- Warranty: 10 year warranty (see terms and conditions)
- Construction: Heavy duty spun aluminum body, prismatic drop or conical acrylic lens (optional)



Lamp Specifications

Wattage	Lumens	CRI	Pupil Lumens	CCT(KELVIN)	Rated Life
SM-CLC-2282-40IND	3,800	90	6,270	4700K	100,000 HRS
SM-CLC-2282-65IND	6,175	90	10,189	4700K	100,000 HRS
SM-CLC-2282-80IND	7,600	90	12,540	4700K	100,000 HRS
SM-CLC-2282-100IND	9,500	90	15,675	4700K	100,000 HRS

Ballast Specifications

System Wattage	Input Voltage	Input Current	Input Frequency	Power Factor	Ambient Temp	THD
44W	120-277VAC	0.36-0.16A	233KHz	.99	-31°F- 239°F	<10%
70W	120-277VAC	0.58-0.25A	233KHz	.99	-31°F- 239°F	<10%
84W	120-277VAC	0.70-0.30A	233KHz	.99	-31°F- 239°F	<10%
106W	120-277VAC	0.88-0.38A	233KHz	.99	-31°F- 239°F	<10%

Ordering Guide

Example: (SM-CLC-2282-80IND-47-120/277V-WH-PCL)

MODEL	WATTS	COLOR TEMP	VOLTAGE	MOUNTING	FINISH	OPTIONS
SM-CLC-2282 SMALL HIGH/LOW BAY FIXTURE	40W-40IND 65W-65IND 80W-80IND 100W-100IND	27-2700K 35-3500K 41-4100K 47-4700K 50-5000K 60-6000K	120-277V 480V	HANGING WITH HOOK	WHT-WHITE ANZ- Anodized Aluminum	PDL-PRISMATIC DROP LEN PCL-PRISMATIC CONICAL LENS OS-OCUPANCY SENSOR