

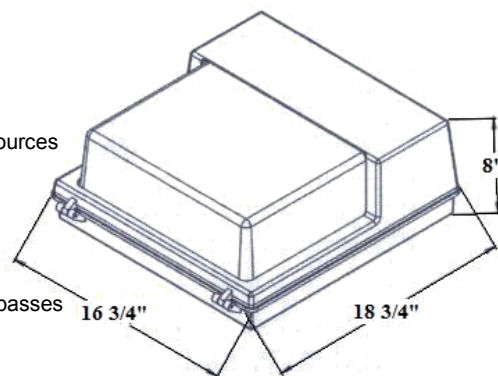


DATE	
PROJECT	
TYPE	
NOTE	
PREPARED BY	

CLW-3039 CLW-3039 Induction Slim Wall Pack Fixture



- Lamp Rating: 100,000 Hours for enhanced safety and maintenance
- Lumen Maintenance: 88% maintained lumens over 100,000 Hours
- Energy Savings: Over 57% savings comparing to HPS and other HID sources
- IP Rating: IP55, UL listed for wet location
- Light Output: 4700K, 90 CRI
- Voltage: 120-277 standard 480V optional
- Applications: Exterior walls, parking areas, entrances, walkways, underpasses
- Warranty: 10 year warranty (see terms and conditions)
- Construction: Heavy duty die cast aluminum body, clear borosilicate glass



Lamp Specifications

Wattage	Lumens	CRI	Pupil Lumens	CCT(KELVIN)	Rated Life
CLW-3039-40IND	3,800	90	6,270	4700K	100,000 hours
CLW-3039-65IND	6,175	90	10,189	4700K	100,000 hours
CLW-3039-80IND	7,600	90	12,540	4700K	100,000 hours
CLW-3039-100IND	9,500	90	15,675	4700K	100,000 hours

Ballast Specifications

System Wattage	Input Voltage	Input Current	Input Frequency	Power Factor	Ambient Temp	THD
44W	120-277VAC	0.36-0.16A	233 KHz	0.99	-31/239	<10 %
70W	120-277VAC	0.58-0.25A	233 KHz	0.99	-31/239	<10 %
84W	120-277VAC	0.70-0.30A	233 KHz	0.99	-31/239	<10 %
106W	120-277VAC	0.88-0.38A	233 KHz	0.99	-31/239	<10 %

Ordering Guide

Example: (CLW-3039-80IND-47-120/277V-BZ-PC)

MODEL	WATTS	COLOR TEMP	VOLTAGE	MOUNTING	FINISH	OPTIONS
CLW-3039 SLIMLINE WALL PACK	40W-40IND 65W-65IND 80W-80IND 100W-100IND	27-2700K 35-3500K 41-4100K 47-4700K 50-5000K 60-6000K	120-277V 480V	WALL MOUNT	BZ- BRONZE WHT-WHITE BLK-BLACK SIL-SILVER	PC-PHOTO CELL WG-WIRE GUARD GS-GLARE SHIELD