



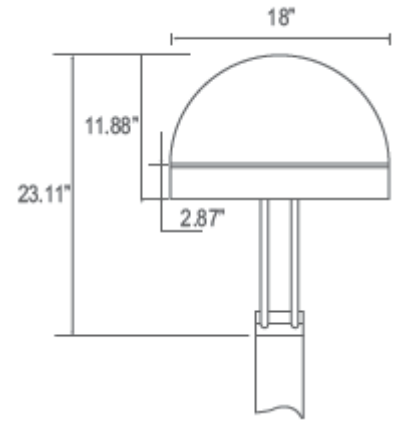
DATE	
PROJECT	
TYPE	
NOTE	
PREPARED BY	

CLP-3072

CLP-3072 Induction area / parking light Fixture



- Lamp Rating: 100,000 Hours for enhanced safety and maintenance
- Lumen Maintenance: 88% maintained lumens over 100,000 Hours
- Energy Savings: Over 57% savings comparing to HPS and other HID sources
- IP Rating: IP55, UL listed for wet location
- Light Output: 4700K, 90 CRI
- Voltage: 120-277, standard, 480v optional
- Applications: Exterior, parking areas, entrances, walkways, parks
- Warranty: 10 year warranty (see terms and conditions)
- Construction: 20ga. Aluminum Body, clear tempered glass lens



Lamp Specifications

Wattage	Lumens	CRI	Pupil Lumens	CCT(KELVIN)	Rated Life
CLP-3072-40IND	3,800	90	6,270	4700K	100,000 HRS
CLP-3072-80IND	7,600	90	12,540	4700K	100,000 HRS
CLP-3072-120IND	11,400	90	18,810	4700K	100,000 HRS
CLP-3072-150IND	14,250	90	23,513	4700K	100,000 HRS
CLP-3072-200IND	19,000	90	31,350	4700K	100,000 HRS

Ballast Specifications

System Wattage	Input Voltage	Input Current	Input Frequency	Power Factor	Ambient Temp	THD
44W	120-277VAC	0.36-0.16A	233KHz	.99	-31°F- 239°F	<10%
84W	120-277VAC	0.70-0.30A	233KHz	.99	-31°F- 239°F	<10%
126W	120-277VAC	1.05-0.45A	233KHz	.99	-31°F- 239°F	<10%
156W	120-277VAC	1.3-0.56A	233KHz	.99	-31°F- 239°F	<10%
210W	120-277VAC	1.75-0.76A	233KHz	.99	-31°F- 239°F	<10%

Ordering Guide

Example: (CLP-3072-80IND-47-120/277V-BZ-CFL)

MODEL	WATTS	COLOR TEMP	VOLTAGE	MOUNTING	FINISH	OPTIONS
CLP-3072 ROUND AREA LIGHT	40W-40IND 65W-65IND 80W-80IND 100W-100IND 120W-120IND 150W-150IND 200W-200IND 250W-250IND	27-2700K 35-3500K 41-4100K 47-4700K 50-5000K 60-6000K	120-277V 480V	N/A	WH-White BZ-Bronze BLK-Black C-Custom finish	CFL- Clear flat lens FFL-Frosted flat lens